



RedKnows MiniFinder Sensor

APPENDIX TO USER MANUAL

The MiniFinder SENSOR which you have purchased is part of the MiniFinder product family, but some of the functions are not specified in the basic user manual. This manual addition only describes the specific functions of the MiniFinder SENSOR.

1. Connection box

A connection box is delivered together with MiniFinder. The connection box communicates wireless to MiniFinder. Cables are connected to a power source and a sensor.

Picture 1: The connection box



To the connection box it's possible to connect a sensor from redKnows, for instance an IR-sensor or a magnetic switch.

When installing always check that the sensor keeps the switch closed when alarm is not detected. An alarm must always break the switch.

2. Placement of connection box

Place the connection box no further away than 10-15 metres from the MiniFinder. The connection box can not communicate with the MiniFinder if there is a concrete- or metal wall between them. Check the functionality when the installation is done. The RF-diode on MiniFinder shall shine when the sensor is activated (when alarm triggers).

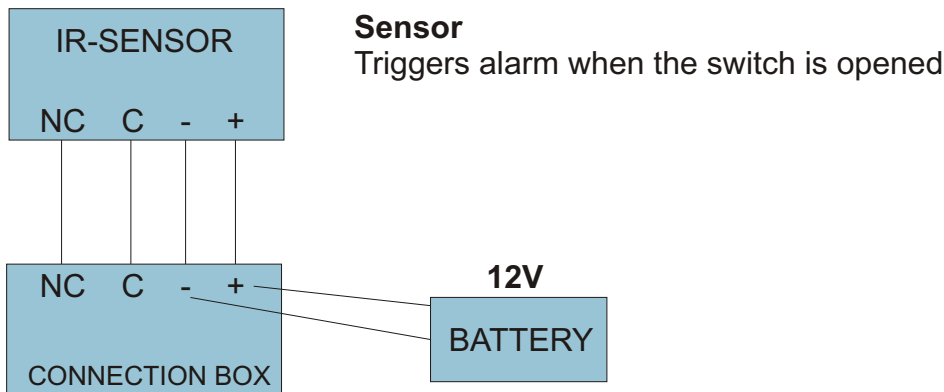
Axtech AB

S:t Jörgens väg 4, 422 49 Hisings Backa, tel. +46(0)31-558866, e-mail: info@axtech.se
www.redknows.com

3. Installation of sensor

Install the connection box and redKnows sensor according to the description below:

Picture 2: Installation of IR-sensor



4. Activation by remote controller (addition to chapter 5.1 in the user manual)

- * On MiniFinder Sensor there is no SOS-button.
- * The SENSOR-button activates the sensor connected to the connection box - if this is done?
- * If you want to activate the vibration alarm, send an SMS to MiniFinder with the message: VIBON.

When a sensor is connected and the alarm triggers, MiniFinder sends an SMS with the message: External sensor alarm detected.

5. Activate MiniFinder via SMS (addition to chapter 5.2 in the user manual)

The SMS-commando "VIBON" works as usual.

To activate the sensor-function send the SMS-commando: SENSON.

NOTE! To be able to send a new SMS-command "SENSON" after an alarm triggered, the MiniFinder must be set in Standby-mode, and then be activated again.

6. When you receive an SMS from MiniFinder (addition to chapter 5.3 in the user manual)

Under the headline "MiniFinder sends an SMS to selected mobile phone numbers in case of:" the type **Sensor alarm** is added. The sensor alarm triggers and an SMS is sent to your mobile phone if the sensor opens the switch according to picture 2.

Type of SMS	When? Why?	Content of SMS
Sensor alarm	The sensoralarm is activated. Someone has affected the sensor and the switch is open according to picture 2.	<ul style="list-style-type: none"> - Type of alarm - Position - Date + time for the last GPS-position - Link to map

NOTE! The SOS-button and its alarm functions described in the user manual is not valid for this version of MiniFinder that you have bought.

NOTE! The Vibration alarm can only be activated via SMS.